

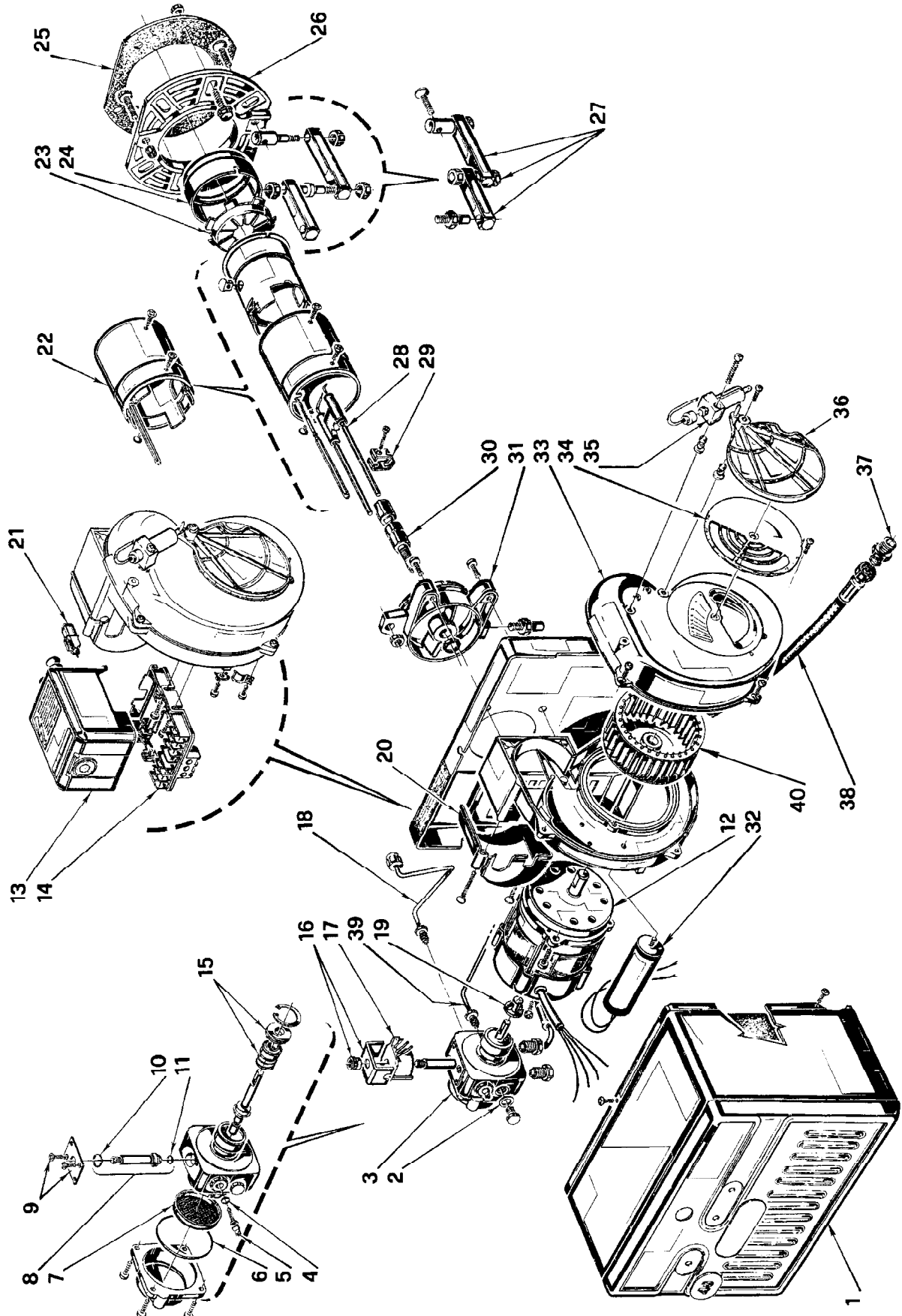
Bruciatori di gasolio - kerosene • Oil - kerosene burners • Brûleurs fioul domestiques - kerosène • Öl-/Kerosin - Gebläsebrenner • Stookoliebranders - kerosine

RIELLO 40 G5

COD. 3744513 - 3744515*

TIPO / TYPE / TYP **445 T1**

* End production 30/04/2003



N.	COD.	DESCRIZIONE	DESCRIPTION	DESCRIPTION	BESCHREIBUNG	BENAMING
1	3007233	CARENATURA	BODY	CAPOT	VERKLEIDUNG	BEDEKKING
2	3007077	GUARNIZIONE	SEAL	JOINT	DICHTUNG	PAKKING
3	3007811	POMPA	PUMP	POMPE	PUMPE	POMP
4	3007028	ANELLO OR	O - RING	JOINT TORIQUE	O - RING	DICHTING O - RING
5	3007202	REGOLATORE	REGULATOR	REGULATEUR	REGLER	REGELAAR
6	3007162	ANELLO OR	O - RING	JOINT TORIQUE	O - RING	DICHTING O - RING
7	3005719	FILTRO	FILTER	FILTRE	FILTER	FILTER
8	3006925	VALVOLA	NEEDLE VALVE	VANNE	NADELVENTIL	VENTIEL
9	3007203	PIASTRINA	PLATE	PLAQUETTE ETRIER	PLATTE	BEUGELPLAATJE
10	3007029	ANELLO OR	O - RING	JOINT TORIQUE	O - RING	DICHTING O - RING
11	3007156	ANELLO OR	O - RING	JOINT TORIQUE	O - RING	DICHTING O - RING
12	3007971	MOTORE	MOTOR	MOTEUR	MOTOR	MOTOR
13	3001156	APPARECCHIATURA 530SE*	CONTROL BOX 530SE*	BOITE DE CONTROLE 530SE*	STEUERGERÄT 530SE*	CONTROLEDOOS 530SE*
14	3002278	MORSETTIERA	CONTROL BOX BASE	SOCLE	STECKSOCKEL	BASIS CONTROLEDOOS
15	3000439	ORGANO DI TENUTA	PUMP SEAL	ORGANE D'ETANCHEITE	WELLENDICHTUNG	ASDICHTING
16	3006553	MANTELLINO E POMELLO	SHELL AND KNOB	ETRIER ET ECROU	BÜGEL UND KNOPF	BEUGEL EN MOER
17	3002279	BOBINA	COIL	BOBINE	MV SPULE	SPOEL
18	3005710	TUBO	TUBE	TUYAU	DRUCKROHR	DRUKLEIDING
19	3000443	GIUNTO	JOINT	ACCOUPLMENT	KUPPLUNG	KOPPELING
20	3006556	COPERCHIO	COVER	COUVERCLE	DECKEL	DEKSEL
21	3002280	FOTORESISTENZA	P.E. CELL	CELLULE PHOTORESISTANCE	FOTOWIDERSTAND	FOTOCEL
22	3005769	GRUPPO BOCCAGLIO	BLAST TUBE ASSEMBLY	GROUPE GUEULARD	BRENNERROHRSYSTEM	BRANDERKOPGROEP
23	3005713	ELICA	DIFFUSER DISC	ACCROCHE FLAMME	STAUSCHEIBE	VLAMHOUDER
24	3006040	ANELLO	RING	EMBOUT GUEULARD	FLAMMKOPF	BRANDERKOPRING
25	3005787	SCHERMO	GASKET	JOINT	DICHTUNG	DICHTING
26	3005786	FLANGIA	FLANGE	BRIDE	FLANSCH	FLENS
27	3000640	GRUPPO CERNIERA	HINGE UNIT	GROUPE CHARNIERE	SCHARNIEREINHEIT	SCHARNIER
28	3005767	GRUPPO ELETTRIDI	ELECTRODE ASSEMBLY	GROUPE ELECTRODES	ELEKTRODESYSYEM	ELECTRODENGROEP
29	3006552	FASCETTA	ELECTRODE BRACKET	SUPPORT ELECTRODES	ELECTRODEN HALTERUN G	ELECTRODENKLEM
30	3005764	PORTAUGELLO	NOZZLE HOLDER	PORTE GICLEUR	DÜSENSTOCK	SPROEIERHOUDER
31	3005761	COLLARE	COLLAR	COLLIER	INNERER FLANSCH	TEGENFLENS
32	3005798	CONDENSATORE 4 µF	CAPACITOR 4 µF	CONDENSATEUR 4 µF	KONDENSATOR 4 µF	CONDENSATOR 4 µF
33	3007208	BOCCA D'ASPIRAZIONE	AIR INTAKE	BOITIER D'ASPIRATION	ANSAUGÖFFNUNG	AANZUIGMOND
34	3007204	SERRANDA	AIR DAMPER	VOLET AIR	LUFTKLAPPE	LUCHTKLEP
35	3006911	MARTINETTO	HYDRAULIC JACK	VERIN AIR	LUFTKLAPPE DRUCKKOLBEN	VIJZEL LUCHTREGELING
36	3000878	SERRANDA	AIR DAMPER	VOLET AIR	LUFTKLAPPE	LUCHTKLEP
37	3009068	RACCORDO	CONNECTOR	MAMELON	NIPPEL	NIPPEL
38	3005720	TUBO FLESSIBILE	FLEXIBLE OIL LINE	FLEXIBLE	SCHLAUCH	FLEXIBEL
39	3007942	TUBO	TUBE	TUYAU	DRUCKROHR	DRUKLEIDING
40	3005708	GIRANTE	FAN	VENTILATEUR	GEBLÄSERAD	VENTILATOR